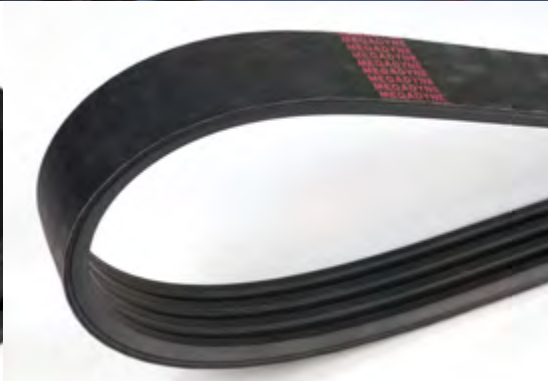


ENERGY: NATURAL GAS & OIL FIELD



Natural Gas & Oilfield Products by Megadyne



Founded in 1957 in Mathi, Italy, Megadyne is a manufacturer of industrial belting for power transmission, product handling and linear positioning applications. Complementing our line of belting products, we market a line of “Jason by Megadyne” industrial and hydraulic hose, couplings, accessories and equipment. Our position in the industry as a global leader is due to our worldwide manufacturing, fabrication and distribution locations, and our commitment to investment in product, material and process development.

Megadyne offers a number of products and accessory items supporting the oil and gas industry. They are found on applications from drilling and extraction to transport and delivery. Megadyne belts and Jason by Megadyne hose provide an important function ensuring efficient, reliable operation whether transmitting power or moving product.

From land-based to offshore oil exploration this brochure specifically identifies those key pieces of process and auxiliary equipment where our belts are most commonly used. For industrial and hydraulic hose products, please inquire about our brochures providing detailed information for hose applications in the energy sector.

- Drilling
- Extraction
- Refining



WARNING: This document is recognized as an Industrial Segment Brochure with its main intent to be application-product use training. While this is not a selling document, we do recognize some items include chemicals that are on the California Prop 65 list effective August 30, 2018. The chemical identified within the belts included in this document is carbon black. For more information visit www.P65WARNINGS.ca.gov

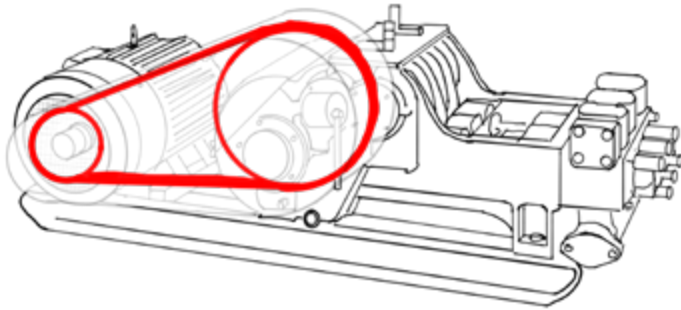


Fin Fan® is a registered trademark of Hudson
RPP® is a registered trademark of the Timken company (formerly Carlisle)
Kevlar® is a registered trademark of Dupont
Isoran® is a registered trademark of Dayco Europe S.R.L.

www.megadynegroup.com

Drilling: Mud Pumps

Mud pumps (drilling fluid pumps) deliver fluids under high pressure underground to remove the rock cuttings from the bottom of the drill bit/hole as the drill continues its downward pursuit to the oil reservoir. Other fluids delivered from the pump are used to mitigate residue from the drill bit and also help the bit to stay cool. This fluid is then pumped back to the surface where the liquid and rock pieces are then sent through a shale shaker. Mud pumps must handle high horsepower and use large belts.



BANDED RUBBER V-BELTS

- 8VK Deep Wedge with Kevlar® Cord
- 8V Deep Wedge
- D - Section Classical

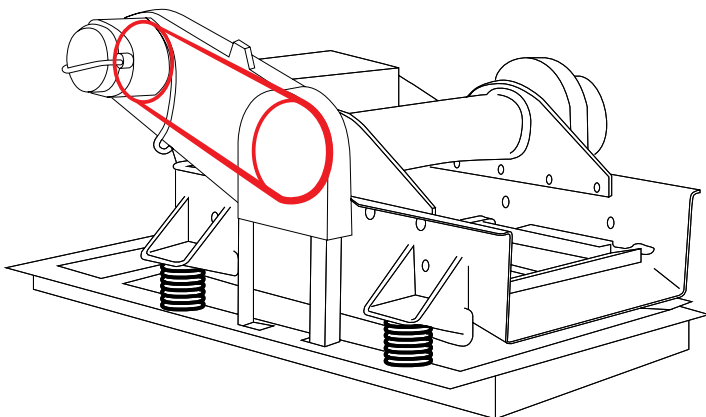


PLATINUM RUBBER TIMING BELTS

- 8M, 14M

Drilling: Shale Shaker

As drilling fluids and contaminants are pumped back out of the drilling area, material is passed through a shaker. The shaker is made up of several screens that separate rock fragments from the water/mud.



RUBBER V-BELTS

- Classical – B, C, D
- Deep Wedge – 3V, 3VX, 5V, 5VX, 8V



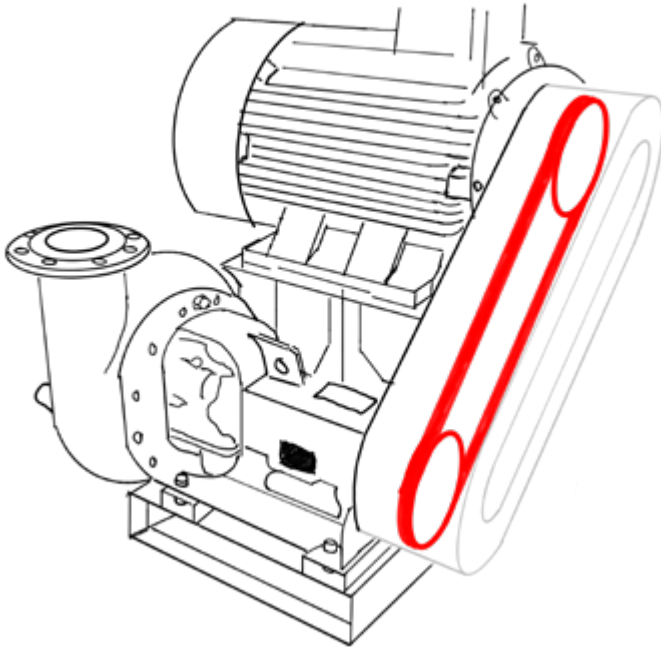
BANDED RUBBER V-BELTS

- 8VK Deep Wedge with Kevlar® Cord
- 8V Deep Wedge
- D - Section Classical

*Red line denotes belt placement on machine. Actual product is black.

Drilling: Shear Pumps

Shear pumps are belt-driven units used to mix various fluids into the mud that is fed back into the drilling pipe in order to improve drilling efficiency.



RUBBER V-BELTS

- Classical – B, C, D
- Deep Wedge – 3V, 5V, 8V
- Cogged Raw Edge Classical – BX, CX
- Cogged Raw Edge Deep Wedge – 3VX, 5VX

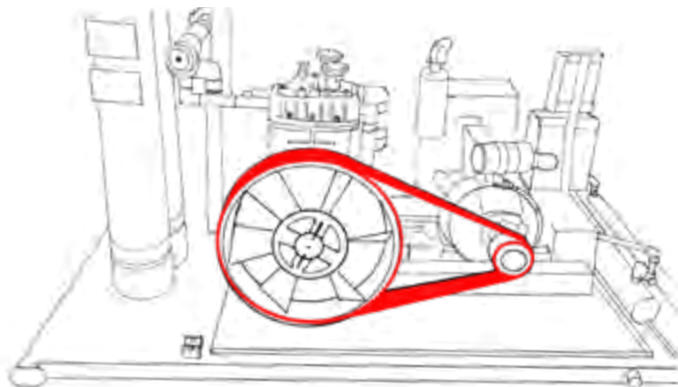


PLATINUM RUBBER TIMING BELTS

- 8M, 14M

Extraction: Wellhead Compressor

Wellhead compressors are used to relieve pressure in order to create an efficient flow of oil to the surface and to the holding tank. Wellhead compressors are mainly used when the oil production is beginning to end and where oil still remains in the reservoir. In addition to helping improve the oil flow to the surface, wellhead compressors also extend the life of the well. Wellhead compressors are also used when moving the oil from the holding tank to the oilfield pipeline and onto refining.



RUBBER V-BELTS

- Classical – B, C, D
- Deep Wedge – 3V, 5V, 8V
- Cogged Raw Edge Classical – BX, CX
- Cogged Raw Edge Deep Wedge – 3VX, 5VX

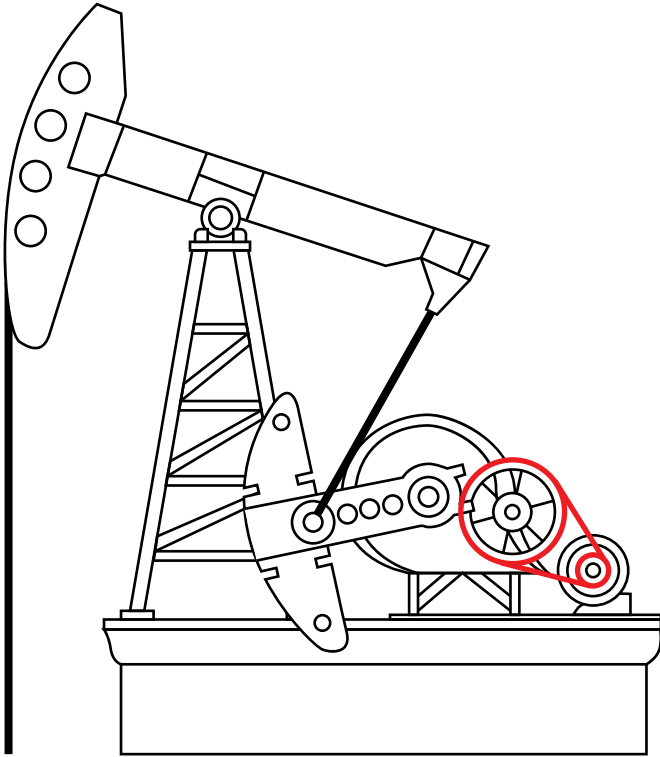


PLATINUM RUBBER TIMING BELTS

- 8M, 14M

Extraction: Pumpjack

Once oil has been reached, the drilling rig is removed and replaced with a pumpjack. These units are used to mechanically lift fluid out of the well where not enough bottom hole pressure exists for the liquid to reach the surface.

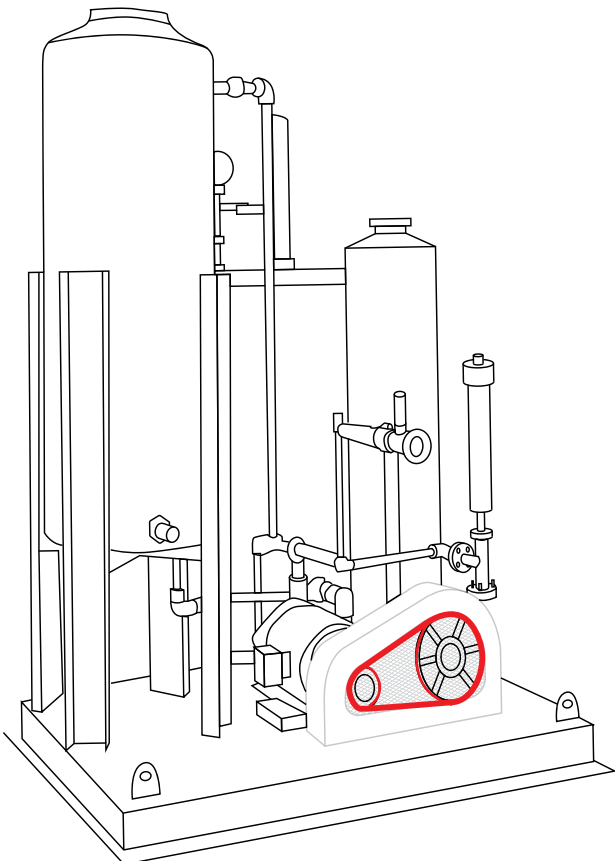


RUBBER V-BELTS

- B, BX, C, CX, D - Section Classical
- 5V and 8V Deep Wedge

Extraction: Offshore Plunger Pumps

In the case of oil platform exploration, salt water accompanies the oil to the surface. After separation from the oil, the saltwater is then pumped back into the oil reservoir using a plunger pump. This step helps in the continuing effort to build constant flow of the oil to the surface.



RUBBER V-BELTS

- Classical – B, C, D
- Deep Wedge – 3V, 5V, 8V
- Cogged Raw Edge Classical – BX, CX
- Cogged Raw Edge Deep Wedge – 3VX, 5VX

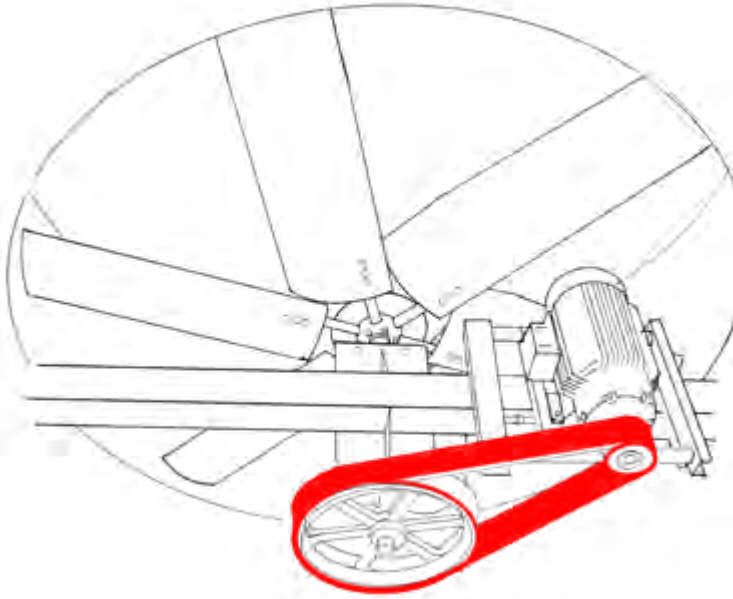


PLATINUM RUBBER TIMING BELTS

- 8M, 14M

Refining: Air-Cooled Heat Exchanger

Air Cooled Heat Exchangers (ACHE) are used in refineries or any application where hot liquids or gasses are being processed. It is a type of heat exchanger that forces air over a set of coils to cool the process. Generally used where a process system generates heat which must be removed. They are also known as a Fin-Fan®.

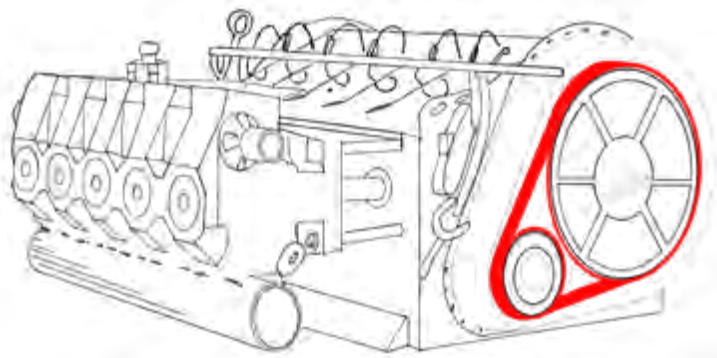


MADE TO ORDER SYNCHRONOUS RUBBER TIMING BELTS

- 8M & 14M belts with negative length tolerance
- Conductive Compound - RPP Gold and RPP Silver 2 are anti-static to ISO 9563 standard
- Ultra Conductive Compound - RPP can be supplied with ultra conductive anti-static compound where required
- Custom cord twists available - standard S+Z, Z-Twist or S-Twist

Stimulation Fracturing Pump

Stimulation fluid, which is a mixture of over 90% water and sand, plus a few chemical additives, is pumped under controlled conditions into deep, underground reservoir formations. The chemicals are used for lubrication, to keep bacteria from forming, to carry the sand, are typically non-hazardous and range in concentrations from 0.1% to 0.5% by volume. They are needed to help improve the performance and efficiency of the hydraulic fracturing. This process creates fractures in the shale rock which contains the oil and natural gas and aids in the extraction process.



PLATINUM RUBBER TIMING BELTS

- 8M, 14M



RUBBER V-BELTS

- Classical – B, C, D
- Deep Wedge – 3V, 5V, 8V
- Cogged Raw Edge Classical – BX, CX
- Cogged Raw Edge Deep Wedge – 3VX, 5VX

The right belt for your application:

Isoran® Synchronous Belts for Air Cooled Heat Exchangers (ACHE)

Supplied As: Endless
Length Range: 248-4956 mm
Width: 12-170 mm
Thickness: 5.4-9.7 mm
Pitch: 8 & 14 mm
Tension Member: Hi-Performance Fiberglass

RPP Gold



RPP Silver2



Advantage & Characteristic: Available in various special ACHE constructions for every application need

Isoran® Synchronous RPP Gold & RPP Silver2

Supplied As: Endless
Length Range: 248-4956 mm
Width: 12-170 mm
Thickness: 5.4-9.7 mm
Pitch: 8 & 14 mm
Tension Member: Hi-Performance Fiberglass

RPP Gold



RPP Silver2



Advantage & Characteristic: High Stability and Resistance

Isoran® Synchronous RPC Platinum

Supplied As: Endless
Length Range: 248-4956 mm
Width: 12-170 mm
Thickness: 5.4-9.7 mm
Pitch: 8 & 14 mm
Tension Member: Dual Core Hybrid

MEGADYNE Platinum



Advantage & Characteristic: Highest Power Transmission

Unimatch® V-Belts

Supplied As: Endless
Length Range: 450-12530 mm
Types: Classical, Cogged Raw Edge Classical, Deep Wedge, Deep Wedge Cogged Raw Edge, Banded
Compounds: Natural Rubber/SBR; Chloroprene



Advantage & Characteristic: Long life, quiet operation, economical

BELARUS**Minsk**

Phone +375 17 2802486
Info.by@megadynegroup.com

BRAZIL**Sorocaba**

Phone +55 15 2101 7700
Info.br@megadynegroup.com

CANADA**Edmonton**

Phone +1 780 461 4400
Info.ca@megadynegroup.com

Montreal

Phone +1 514 31 2341
Info.ca@megadynegroup.com

Toronto

Phone +1 905 602 4400
Info.ca@megadynegroup.com

CHINA**Beijing**

Phone +86 10 8150 7478
info.cn@megadynegroup.com

Foshan

Phone +86 757 83815530
info.cn@megadynegroup.com

Fujian

Phone +86 595 8816 0309
info.cn@megadynegroup.com

Ningbo*

Phone +86 574 8650 2886
info.cn@megadynegroup.com

Qingdao*

Phone +86 532 8765 2117
info.cn@megadynegroup.com

Shanghai

Phone +86 21 5447 1473
info.cn@megadynegroup.com

Shenyang

Phone +86 24 2572 3238
info.cn@megadynegroup.com

COLOMBIA**Bogotá**

Phone +57 (1) 471 0503
Info.co@megadynegroup.com

Cartagena

Phone +57 (5) 672 997
Info.co@megadynegroup.com

CZECH REPUBLIC**Prague**

Phone +420 2 8481 7181
Info.cz@megadynegroup.com

FRANCE**Paris**

Phone +33 1 6079 8200
info.fr@megadynegroup.com

St. Jean De Maurienne*

Phone +33 4 7964 0613
info.fr@megadynegroup.com

GERMANY**Borchen**

Phone +49 5251 8735 0
info.de@megadynegroup.com

Elchingen*

Phone +49 7308 9665 0
info.de@megadynegroup.com

HUNGARY**Budapest**

Phone +36 23 428 628
info.hu@megadynegroup.com

INDIA**Chennai***

Phone +91 98841 81175
info.in@megadynegroup.com

ISRAEL**Caesarea**

Phone +972 4 6371485
sales@megabelt.co.il

ITALY**Turin***

Phone +39 011 926 8052
info@megadynegroup.com

Milan*

Phone +39 039 689 601
info.it@megadynegroup.com

Pescara

Phone +39 085 9700547
info.it@megadynegroup.com

Venice

Phone: +39 041 929 367
info.it@megadynegroup.com

MEXICO**Mexico C.P.**

Phone +52 55 5587 3680
info.mx@megadynegroup.com

PERU**Lima**

Phone +51 713 0069
info.pe@megadynegroup.com

POLAND**Bydgoszcz***

Phone +48 52 348 77 12
info.pl@megadynegroup.com

SOUTH AFRICA**Johannesburg**

Phone +27 (0)12 661 1652
info.za@megadynegroup.com

Cape Town

Phone +27 (0)21 982 0772
info.za@megadynegroup.com

SPAIN**Barcelona***

Phone +34 933 774 441
www.avetm.com

Vilanova*

Phone +34 93 811 5450
info.es@megadynegroup.com

SWEDEN**Kristianstad**

Phone +46 10 1309600
info.se@megadynegroup.com

THAILAND**Bangkok**

Phone: +66 (0) 27115477
info.th@megadynegroup.com

TURKEY**Izmir***

Phone +90 232 877 07 00
info.tr@megadynegroup.com

U.K.**Birmingham**

Phone: +44 1384 215 021
info.uk@megadynegroup.com

U.S.A**California**

Phone +1 323 265 8061
info.us@megadynegroup.com

Florida

Phone +1 813 241 4111
info.us@megadynegroup.com

Georgia*

Phone +1 770 887 9725
info.us@megadynegroup.com

Illinois

Phone +1 630 752 0600
info.us@megadynegroup.com

New Jersey Americas HQ

Phone +1 973 227 4904
info.us@megadynegroup.com

New York*

Phone +1 716 667 7450
info.us@megadynegroup.com

North Carolina*

Phone +1 704 583 5388
info.us@megadynegroup.com

Oregon

Phone +1 503 231 7224
info.us@megadynegroup.com

Texas

Phone +1 972 438 6992
info.us@megadynegroup.com

HEADQUARTERS**ITALY Turin**

Via S. Lucia, 114
10075 Mathi (Torino)
Phone +39 011 926 8052
info@megadynegroup.com

www.megadynegroup.com

* Manufacturing locations



©2018 Megadyne Americas