



MEGADYNE



EN

V-BELTS RANGE

PRODUCT
BROCHURE

WELCOME TO **MEGADYNE**

Welcome to Megadyne, where innovative power transmission solutions drive operational excellence. Our products help customers achieve peak performance, empowering your business to maximise efficiency.



8  **FACTORIES IN EUROPE, ASIA AND AMERICA**
+170  **COMMERCIAL LOCATIONS**

OUR SOLUTIONS

After decades of growth, Megadyne continues to excel with a diverse portfolio of comprehensive power transmission and product handling solutions for all industry segments.

Our extensive product portfolio is available globally in over 40 countries and 170 locations to support our OEM and SEM clients' businesses in their sustainability efforts. Alongside AMMEGA brands like Ammeraal Beltech in conveyor belting and Jason Industrial in fluid power, we share core values of customer centricity, people focus, entrepreneurship, agility, and responsibility. Together, we provide unique applications, fluid power solutions, and belting solutions for the entire supply chain.

OUR EXPERTISE

Our skilled designers and engineers are crucial to delivering innovative Megadyne power transmission solutions. As field experts, they thoroughly analyze and study industrial processes to develop new solutions and enhance the existing ones.

FOR MORE INFORMATION AND OUR FULL PRODUCT RANGE, PLEASE SCAN BELOW:



V BELTS




V-BELTS RANGE

Founded in 1957 and based in Mathi (Italy), Megadyne is a global product brand of rubber and polyurethane drive belts and associated components used in power transmission, product handling and linear positioning applications. For decades, Megadyne V-belts have delivered reliable drive solutions to industries worldwide. Their advanced technology ensures dimensional accuracy, making them ideal for numerous transmissions while maintaining stability during use.

Available in both classical and narrow profiles, Megadyne V-belts come in wrapped and raw edge designs for optimal performance.

For more information, contact our experts.

[Click to find out more](#) 

RUBBER WRAPPED



OLEOSTATIC GOLD:
Z - A - B - C - D - E - SPZ - SPA - SPB - SPC
OLEOSTATIC:
20 - 25 - 45 - 50 - 3V - 5V - 8V
EXTRA:
Z - A - B - C - SPZ - SPA - SPB - SPC



MACHINE TOOLS



COMMERCIAL & DOMESTIC APPLIANCES



TEXTILE & NON WOVEN PRODUCTION



LAWN, GARDEN & AGRICULTURE



CERAMIC, GLASS, STONE & MARBLE



PAPER & PRINT



ESAFLEX:
AA - BB - CC



MACHINE TOOLS



TEXTILE & NON WOVEN PRODUCTION



LAWN, GARDEN & AGRICULTURE



CERAMIC, GLASS, STONE & MARBLE

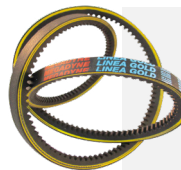


XDV2
XDV38 - XDV48 - XDV58



LAWN, GARDEN & AGRICULTURE

RUBBER RAW-EDGE



LINEA GOLD:
AX - BX - CX - XPZ - XPA - XPB - XPC
LINEA X:
XPZ - XPA - XPB - XPC



MACHINE TOOLS



TEXTILE & NON WOVEN PRODUCTION



PAPER & PRINT



CERAMIC, GLASS, STONE & MARBLE



VARISECT
13X6 - 17X6 - 21X7 - 22X8 - 26X8 - 28X8
- 30X10 - 32X10 - 36X12 - 37X10 - 42X13 -
47X13 - 52X16 - 55X16 - 65X20 - 70X20



MACHINE TOOLS



LAWN, GARDEN & AGRICULTURE

RUBBER BANDED



PLURIBAND:
RA - RB - RC - RSPZ - RSPA - RSPB - RSPC
R3V - R5V - R8V - R3VX - R5VX



MACHINE TOOLS



TEXTILE & NON WOVEN PRODUCTION



PAPER & PRINT

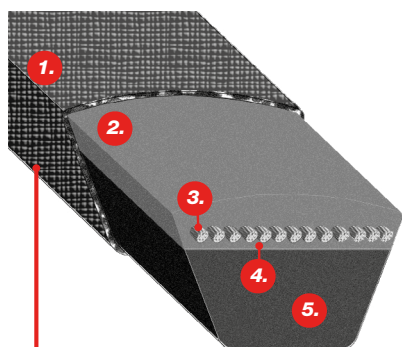


CERAMIC, GLASS, STONE & MARBLE



COMMERCIAL & DOMESTIC APPLIANCES

WRAPPED V-BELTS



- 1. FABRIC:**
Double cover ply - CR Dip.
- 2. TOP CUSHION:**
SBR compound and Fibers
- 3. TENSILE CORD:**
H.T. Polyester
- 4. BOTTOM CUSHION:**
SBR compound and Fibers
- 5. BODY:**
Polychloroprene (CR) based



OLEOSTATIC GOLD

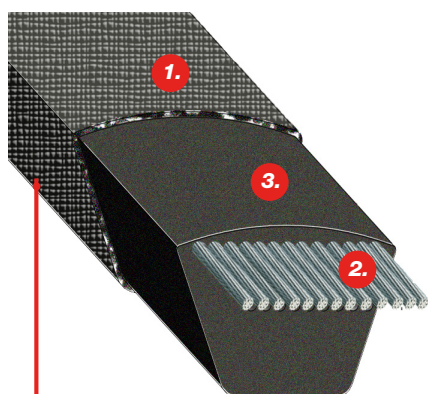
Oleostatic Gold is top of the line in wrapped V-belts. It can operate in a wide range of industrial applications, with an ample spread of load capacities and speeds, offering rated performance from 100 to 8,000 RPM and power capability from 1 to 400 kW.

WHY OLEOSTATIC GOLD?

Oleostatic Gold belts offer up to 30% greater power transmission capacity compared to standard Oleostatic belts, enabling more compact drives and cost savings. Additionally, all compounds are halogen-free and RoHS compliant, making Oleostatic Gold environmentally friendly.

MAIN FEATURES:

- Smooth starting and running
- Wide range of driven speed
- Extremely wide horsepower ranges
- Vibration damping between driver and driven pulleys
- No need for lubrication
- Long service life and lower maintenance costs
- Antistatic properties according to ISO 1813
- Working temperature: - 30 °C / + 80 °C



- 1. FABRIC:**
Cotton polyester fabric
- 2. CORD:**
Polyester cords
- 3. BODY:**
SBR compound which provides high-transmission efficiency



EXTRA

EXTRA belts are designed to offer durable and reliable performances on light and medium-duty drives.

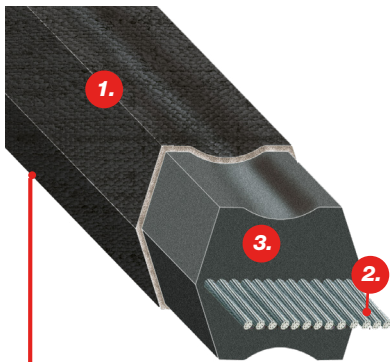
WHY EXTRA?

These belts represent an affordable solution for transmission systems of many industrial sectors. All compounds are halogen-free and RoHS compliant, ensuring environmental friendliness.

MAIN FEATURES:

- Smooth starting and running
- Vibration damping between driver and driven pulleys
- No need for lubrication
- Long service life and lower maintenance costs
- Antistatic properties according to ISO 1813
- Working temperature: - 30 °C / + 80 °C

WRAPPED V-BELTS



1. FABRIC:
Double-wrapped polyester and cotton fabric

2. CORD:
High-strength and low-stretch polyester cords, granting length stability over the belt lifetime.

3. BODY:
Special blend of compounds (CR-based)



ESAFLEX

Esaflex is a double-angle V-belt.

A double-wrapped cotton neoprene cover is added for excellent resistance to abrasive wear, heat, ozone, sunlight, grease, oil, or dirt. The centrally located cord and special synthetic rubber compound assure long belt life and a smooth drive.

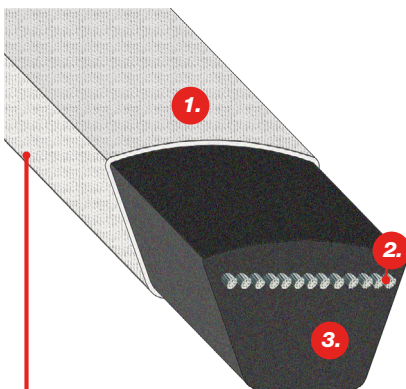
WHY ESAFLEX?

Esaflex belts are ideally suited for serpentine drives where power needs to be transmitted equally from both sides of the belt. They are designed for high-temperatures.

Esaflex can be driven in clockwise and anti-clockwise direction simultaneously.

MAIN FEATURES:

- Power transmission from both sides
- Excellent resistance to abrasive wear, heat, ozone, sunlight, grease, oils, or dirt
- Long belt life
- Great flexibility
- Working temperature: - 30 °C / + 80 °C



1. FABRIC:
Light grey coloured fabric, of strong cotton / polyester

2. CORD:
Aramid

3. BODY:
CR blend



XDV2

XDV2 belt series are designed for maintenance-free operation in applications with exceptionally hard-working conditions. These belts perfectly match the requirements of clutching drives: the aramid cords protect the belt against shock loads while maintaining its length constant.

WHY XDV2?

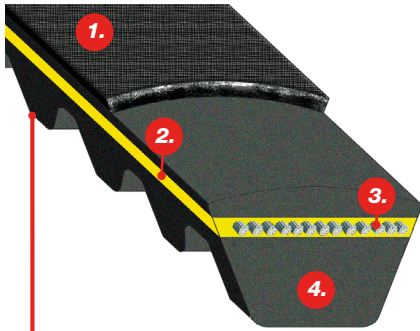
XDV2 belts are exceptional in even the toughest working conditions. This belt series is designed for drives with small pulley diameters and high-temperature peaks, combined with high levels of moisture and humidity.

XDV2 belts withstand the harshest environmental challenges, including oil and grease contamination or transmissions where grit may interfere between the pulleys and the belt.

MAIN FEATURES:

- Smooth power transmission (the belt can absorb power shocks)
- Ideal for drives with power oscillations (reduced drive vibration)
- Superior resistance to temperature, oils, and weather
- Meets requirement for static conductivity
- Working temperature: - 20 °C / + 80 °C

RAW-EDGE V-BELTS



- 1. BACKSIDE FABRIC:**
Protects against contamination and moisture.
- 2. ADHESIVE LAYERS:**
EPDM compound ensures optimal bonding with the body material.
- 3. CORD:**
Polyester tensile cords to enhance tensile and flex-fatigue forces.
- 4. BODY:**
EPDM compound with high-performance fibers embedded in the rubber matrix.



LINEA GOLD

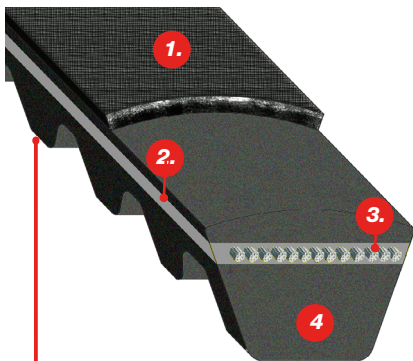
Linea Gold is a top-of-the-line raw edge V-belt. It features a narrow cross-section and raw-edge construction. Engineered with advanced design elements, an innovative production process, and new materials, Linea Gold outperforms in diverse industrial applications.

WHY LINEA GOLD?

Linea Gold guarantees large cost advantages for end users and a greater design flexibility for engineers. The belt features a narrow cross-section and raw edge construction, made from a new EPDM rubber compound that withstands chemically aggressive environments, aging, ozone, UV, and heat.

MAIN FEATURES:

- Increased power capacity: + 30% higher power rating compared to standard Linea X
- Very smooth-running operation
- Tightest dimensional tolerance and installation without matching
- Antistatic properties according to ISO 1813
- Environment-friendly belts: all compounds are halogen-free and RoHS compliant
- Working temperature: - 40 °C / + 100 °C



- 1. BACKSIDE FABRIC:**
Protects against contamination and moisture.
- 2. ADHESIVE LAYERS:**
CR based
- 3. CORD:**
Polyester tensile cords
- 4. BODY:**
CR based



LINEA X

Linea X belts are designed for applications where small pulley diameters and high transmission ratios restrict the use of wrapped belts of the same sections.

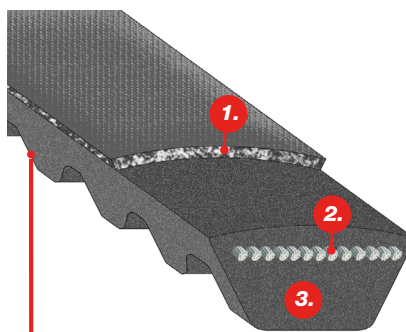
WHY LINEA X?

Linea X belts feature specific compounds and special production technology, ensuring transverse rigidity while maintaining longitudinal flexibility and running stability.

MAIN FEATURES:

- Improved grip to continuous bending
- Highest longitudinal flexibility and running stability
- Resistant to chemically aggressive environments, ageing, ozone, UV, and heat
- Antistatic properties according to ISO 1813
- Long service life
- Working temperature: -30 °C / + 80 °C

RAW-EDGE V-BELTS



- 1. FABRIC:**
To improve flexibility
- 2. CORD:**
Polyester
- 3. BODY:**
Special compound in CR blend



VARISECT

Varisect stands for Variable Speed V-belt. These belts are designed for variable speed transmissions, offering a wide range of driven speeds. With enhanced gripping contact with the pulley, Varisect belts ensure reduced vibration and deliver smoother, quieter performance.

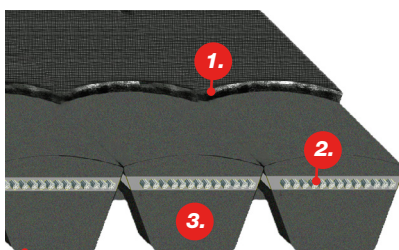
WHY VARISECT?

Located in the strength section to handle HP loads with minimal belt stretch, Varisect resists fatigue and shock, ensuring excellent belt stability. Additionally, these belts offer increased surface area for heat dissipation and enhanced flexibility, resulting in cooler operations and extended belt life.

MAIN FEATURES:

- Exact speed control
- Smooth running
- Raw edge sidewalls improve gripping action
- Superior resistance to ageing caused by wear, oil, heat, grease, and harmful environmental factors
- Static dissipating
- Longer belt life
- Working temperature: - 30 °C / + 90 °C

BANDED V-BELTS



- 1. FABRIC:**
Fabric jacket or cover made of fabric, to protect the tensile, to increase grip strength, and grant greater wear resistance
- 2. CORD:**
Polyester cords, which grant length stability over the belt lifetime
- 3. BODY:**
CR / SBR blend



RUBBER PLURIBAND

Pluriband belts are Megadyne version of banded V-belts. These belts eliminate belt whip and twist on wedge-types drives, ensuring smoothest and strongest operation.

WHY PLURIBAND?

Pluriband belts are able to transmit very high loads: they have the same performance of an equal number of corresponding individual V-belts working in a set.

MAIN FEATURES:

- Smooth starting and running
- Oil and heat resistant
- No need for lubrication
- Working temperature: -30 °C / +80 °C

Discover Your Local Contacts

The local partner of choice
for sustainable power transmission belting solutions
around the globe.



General contact information:

Megadyne

Via Trieste, 16
Via S. Lucia 114 - 10075 Mathi (Torino)
Italy



Scan the QR code
and find your local
contact

