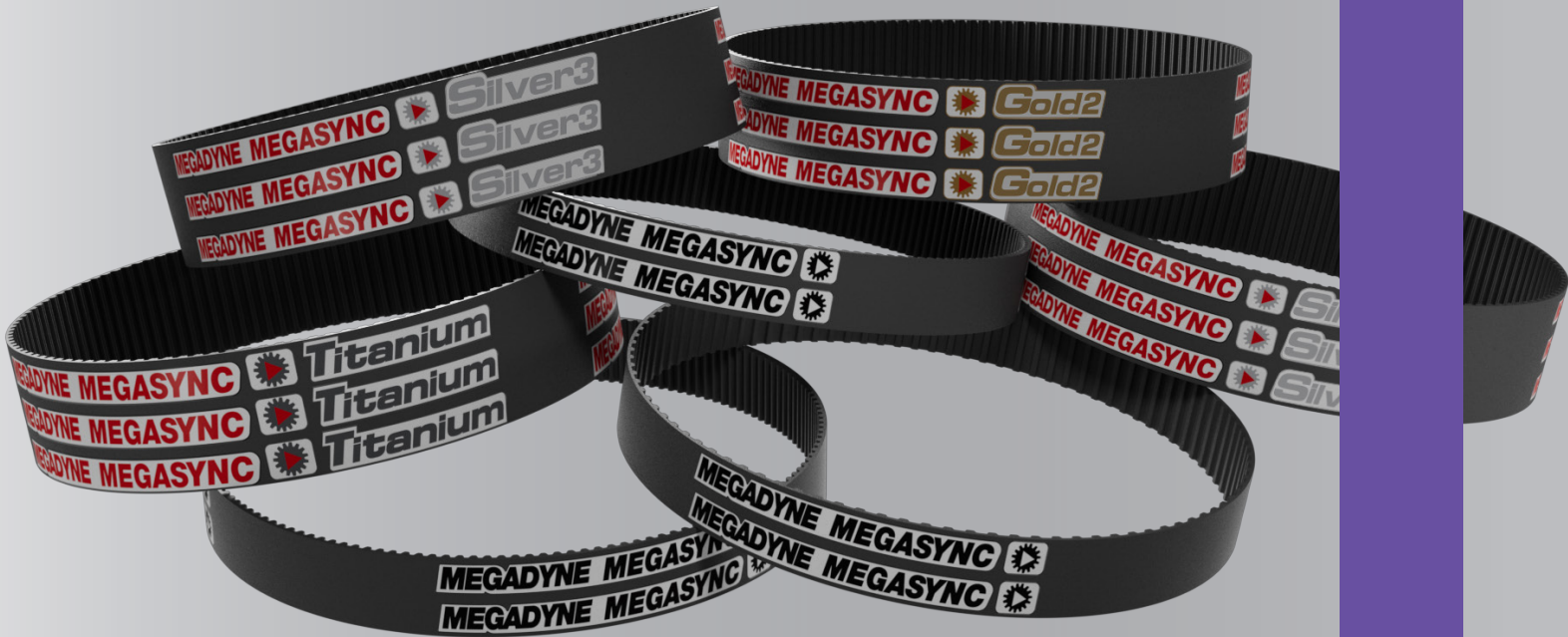




MEGADYNE



MEGASYNC™ RUBBER TIMING BELTS

PRODUCT
BROCHURE

AM-EN

WE ARE **MEGADYNE**

Megadyne MANUFACTURES a full line of power transmission belting solutions for industrial distribution and original equipment manufacturers (OEMs). We are a GLOBAL LEADER in v-belts, rubber and urethane synchronous belts and engineered belts. Megadyne is a member of the AMMEGA Group — We Make Your Business Move!



- 9**  FACTORIES IN EUROPE, ASIA AND AMERICA
- +170**  COMMERCIAL LOCATIONS
- +2400**  EMPLOYEES
- 3**  DISTRIBUTION HUBS

OUR SOLUTIONS

Our customers are original equipment manufacturers and aftermarket distributors, for whom we deliver a large range of products. Our offering includes thermoset and thermoplastic polyurethane belts, rubber timing and V-belts, flat belts, multi-rib belts, specialty belts, pulleys, clamping plates, timing bars and complementary products, including custom-made.

PRODUCT SELECTION PRO DRIVE DESIGN SOFTWARE

Please scan our QR code or visit:
<http://megadyne.productselectionpro.com>
for your drive design and energy calculator.



NOTE: This QR code takes you to Product Selection Pro.



ENERGY EFFICIENT BELT DRIVES

Synchronous belts provide a 98% drive efficiency over heavy-duty classical V-belts which on average afford 92% efficiency. Therefore, upgrading to synchronous belts is a "Best Practice" in reducing energy consumption.



**FOR MORE INFORMATION
AND OUR FULL PRODUCT
RANGE, PLEASE SCAN
BELOW:**



SURVEY YOUR BELT OR CHAIN DRIVES

Contact your Megadyne Distributor to identify energy-saving solutions for your drives!



WARNING: This document is recognized as a product brochure with its main intent to be application-product use training. While this is not a selling document, we do recognize some items include chemicals that are on the California Prop 65 list effective August 30, 2018. The chemical identified within the belts included in this document is carbon black. For more information visit www.P65WARNINGS.ca.gov

MEGASYNC™ TITANIUM

ULTRA HIGH-TORQUE



Megadyne introduces one of the highest power density synchronous power transmission belts on the market! The next generation of synchronous belts surpassing the Platinum and other premium belt drives on the market today. When you want to replace chains, gears or you need to provide a superior belt drive solution - you need MEGADYNE MEGASYNC™ Titanium. With an enhanced design and innovative materials, Titanium has all the features and performance to make it the ideal belting solution in the most demanding applications.

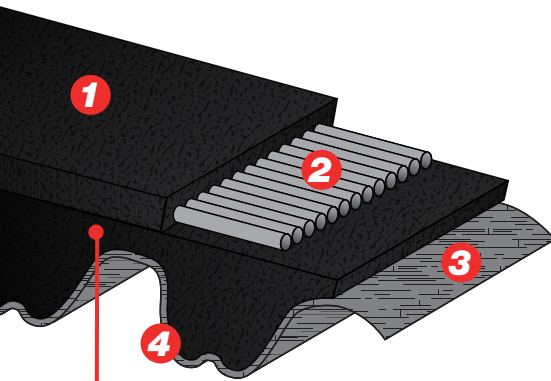
PERFORMANCE

The RPC profile, an advanced evolution of the RPP profile, achieves a high-power capacity drive with excellent dimensional stability and a fully-functional interchange with all of the most common existing deep pulley tooth profile systems, including HTD, RPP, PGGT and PCGT profiles.

FEATURES & BENEFITS

- Tooth Pitch Codes: TTM8 and TTM14
- Compound: HNBR rubber
- Cord: 100% Carbon Fiber
- Tooth Facing: High performance fabric with special anti-friction treatment
- Operating Temperatures: -40 °F up to +248 °F (Max peak +284°F for short periods of time)
- Antistatic Properties: conforms to ISO 9563 (BS 2050) standard
- Available in non-standard widths

**ANTISTATIC
ACCORDING
TO ISO 9563**



The MEGASYNC™ Titanium belt is made with the most innovative materials of the highest quality. The extensive development and tests performed have resulted in a synchronous belt that has:

- 1. COMPOUND**
HNBR rubber
- 2. CORD**
100% carbon fiber
- 3. TOOTH FACING**
High performance fabric with special anti-friction treatment
- 4. TOOTH PROFILE**
RPC

FOR MORE INFORMATION AND OUR FULL PRODUCT RANGE, PLEASE SCAN BELOW:

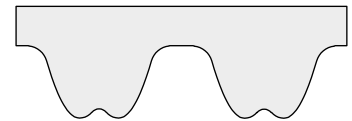


PART NOMENCLATURE

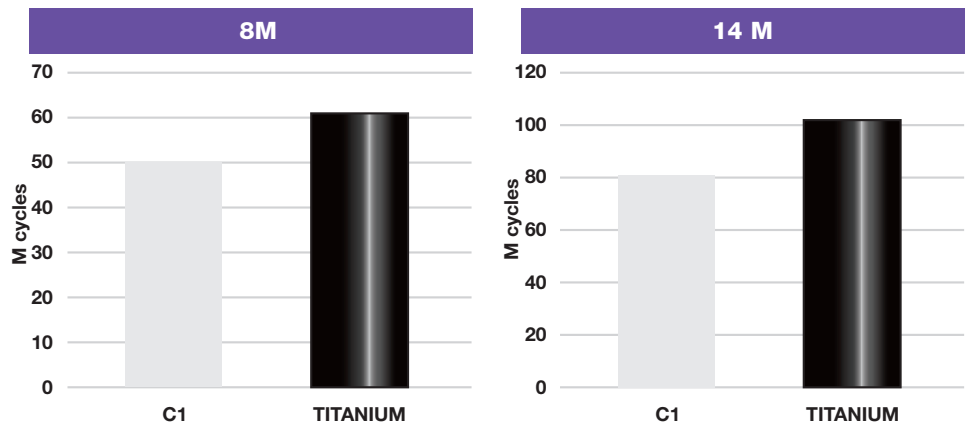
3500TTM14M65

3500 = Pitch length (mm)
TTM = Titanium
14M = Tooth pitch (14mm)
65 = Belt width (mm)

TITANIUM



DURABILITY TEST - TITANIUM VS COMPETITORS



Legend: C = Competitor

MEGASYNC™
SYNCHRONOUS RUBBER BELTS

MEGASYNC™ GOLD2

SUPER HIGH-TORQUE



MEGASYNC™ Gold2 has been developed to provide a more powerful version of RPP and Silver belts. It is suitable for a very wide range of applications in power transmission. This type of belt combines the advantages of gears and roller chain drives, minimizing the drawbacks of both.

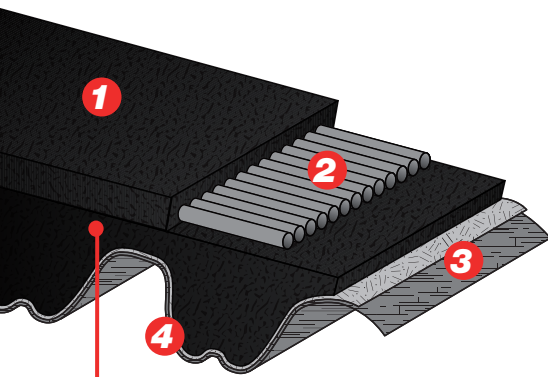
PERFORMANCE

The RPC profile, an advanced evolution of the RPP profile, achieves a high-power capacity drive with excellent dimensional stability and a fully-functional interchange with all of the most common existing deep pulley tooth profile systems, including HTD, RPP, PGGT and PCGT profiles.

FEATURES & BENEFITS

- Tooth Pitch Code: GLD2 5M, GLD2 8M and GLD2 14M
- RPC tooth profile, known for its low-noise characteristics
- Cord: Higher power capacity Fiberglass Cords with excellent dimensional stability
- Compound: high-performance compound gives oil and heat resistance
- Tooth Cover: impregnated fabric coated with a film provides low friction and durability
- Antistatic Properties: conforms to ISO 9563 (BS 2050) standard
- Operating Temperatures: -13 °F up to +212 °F
- Available in non-standard widths
- On demand: GLD2 8M DD and GLD2 14M DD (Dual-Sided)

ANTISTATIC
ACCORDING
TO ISO 9563



The MEGASYNC™ Gold2 belt is made with premium materials. The extensive development and tests performed have resulted in a synchronous belt that has:

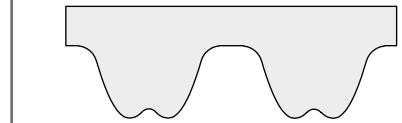
- 1. COMPOUND**
High-performance NBR
- 2. CORD**
High-performance Fiberglass
- 3. TOOTH FACING**
Dual layer nylon (for 14M) and single layer nylon (for 8M): self-lubricating, low friction, extended life
- 4. TOOTH PROFILE**
RPC

PART NOMENCLATURE

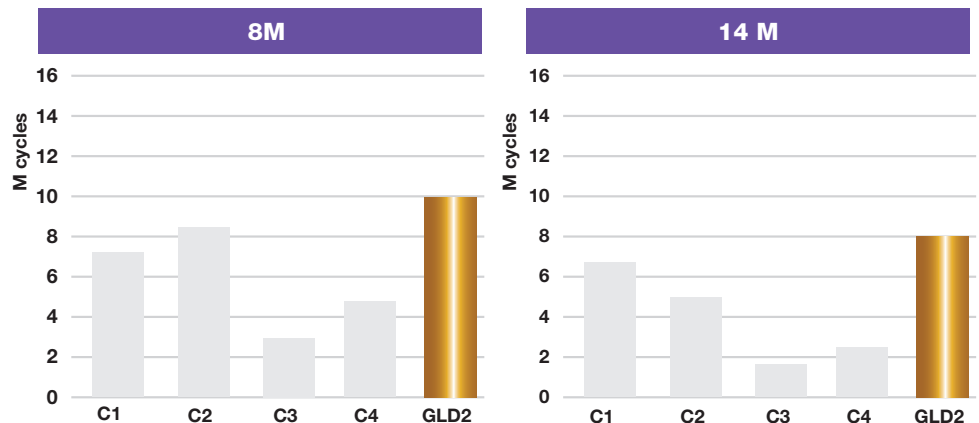
1800GLD2-8M50

- 1800** = Pitch length (mm)
- GLD2** = Gold2
- 8M** = Tooth pitch (8mm)
- 50** = Belt width (mm)

GOLD2



DURABILITY TEST - GOLD2 VS COMPETITORS



Legend: C = Competitor

MEGASYNC™ SILVER3

EXTRA HIGH-TORQUE



MEGASYNC™ Silver3 offers a higher power rating up to +20% over the former Silver and Silver2 belt range and a wealth of improved properties at the same price. The existing RPP or Silver and Silver2 systems can be upgraded without replacing the pulleys. In addition, due to improved performance, the more compact dimension optimizes space utilization and cost for all new drive systems.

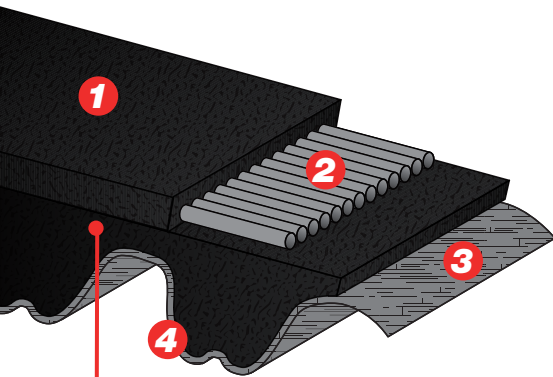
PERFORMANCE

The RPC profile, an advanced evolution of the RPP profile, achieves a high-power capacity drive with excellent dimensional stability and a fully-functional interchange with all of the most common existing deep pulley tooth profile systems, including HTD, RPP, PGGT and PCGT profiles.

FEATURES & BENEFITS

- Tooth Pitch Code: SLV3 5M, SLV3 8M and SLV3 14M
- RPC tooth profile, known for its low-noise characteristics
- Cord: Increased load capacity over previous Silver/Silver2 construction
- Tooth Cover: impregnated fabric coated with a film provides low friction and durability
- Upgrades drive capacity with existing sprockets
- Antistatic Properties: conforms to ISO 9563 (BS 2050) standard
- Operating Temperatures: -13 °F up to +212 °F
- Available in non-standard widths
- On demand: SLV3 8M DD and SLV3 14M DD (Dual-Sided)

ANTISTATIC
ACCORDING
TO ISO 9563



The MEGASYNC™ Silver3 belt is made with premium materials. The extensive development and tests performed have resulted in a synchronous belt that has:

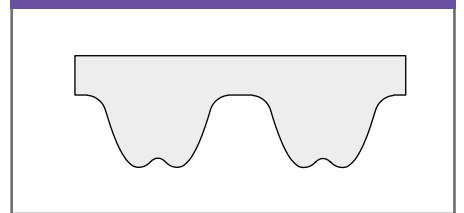
- 1. COMPOUND**
Fiber loaded nitrile
- 2. CORD**
Fiberglass
- 3. TOOTH FACING**
Nylon Fabric: self-lubricating, low friction, extended life
- 4. TOOTH PROFILE**
RPC

PART NOMENCLATURE

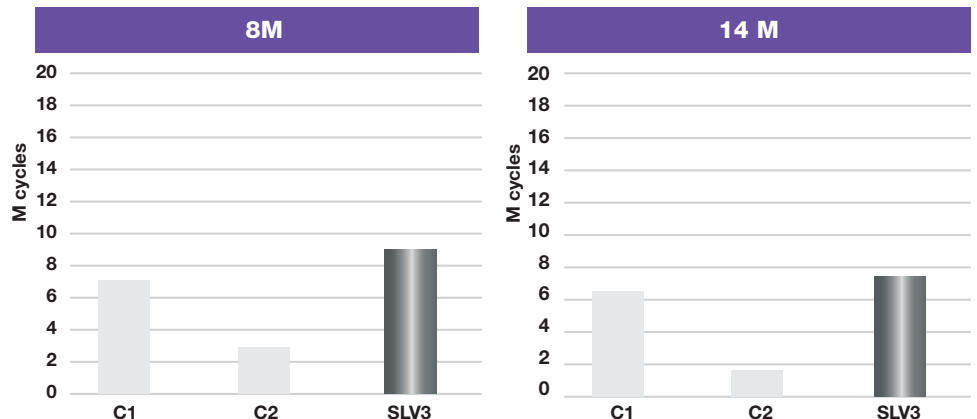
1800SLV3-8M50

- 1800** = Pitch length (mm)
- SLV3** = Silver3
- 8M** = Tooth Pitch (8mm)
- 50** = Belt width (mm)

SILVER3

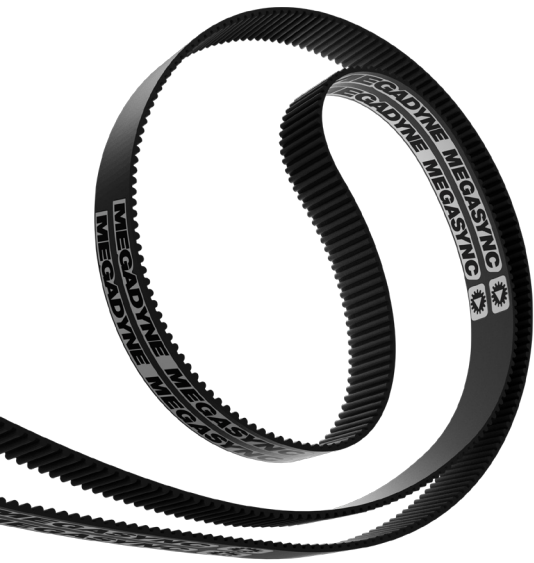


DURABILITY TEST - SILVER3 VS COMPETITORS



Legend: C = Competitor

MEGASYNC™
SYNCHRONOUS RUBBER BELTS

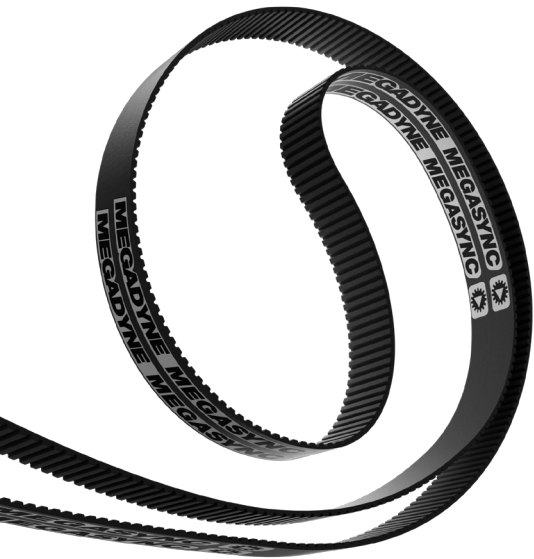
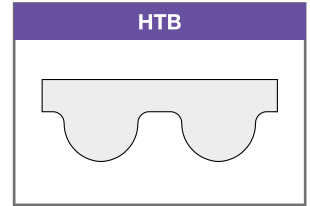
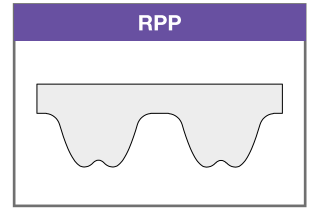


MEGASYNC™ RPP

HIGH-TORQUE

FEATURES & BENEFITS

- Tooth Pitch Codes: RPP3, RPP5, RPP8, and RPP14
- Compound: Chloroprene
- Cord: Fiberglass
- Tooth Cover: Nylon
- Tooth Profile: RPP - HTB available on request
- Operating Temperatures: -13 °F up to +176 °F
- Available in non-standard widths

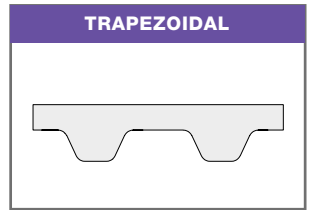


STANDARD TIMING BELTS

TRAPEZOIDAL TOOTH

FEATURES & BENEFITS

- Tooth Pitch Codes: MXL, XL, L, H, XH, XXH
- Compound: Chloroprene
- Cord: Fiberglass
- Tooth Cover: Nylon
- Tooth Profile: Trapezoidal
- Operating Temperatures: -13 °F up to +176 °F
- Available in non-standard widths



PRODUCT RESOURCES

POWER TRANSMISSION PRODUCT GUIDE



ONLINE DRIVE DESIGN: PRODUCT SELECTION PRO

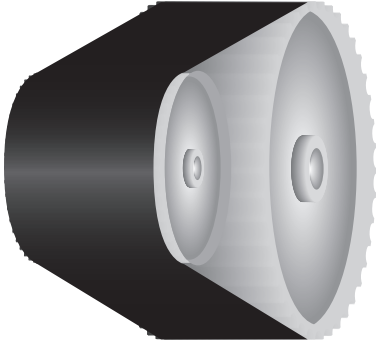


PERFORMANCE

MEGADYNE MEGASYNC

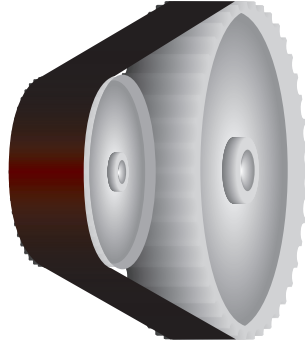
HIGHER PERFORMANCE BELT = NARROWER DRIVE

RPP



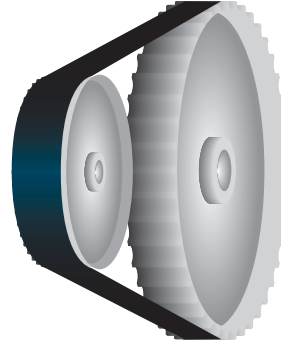
HIGH TORQUE

Silver3



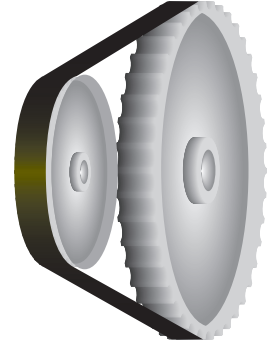
EXTRA-HIGH TORQUE

Gold2



SUPER-HIGH TORQUE

Titanium

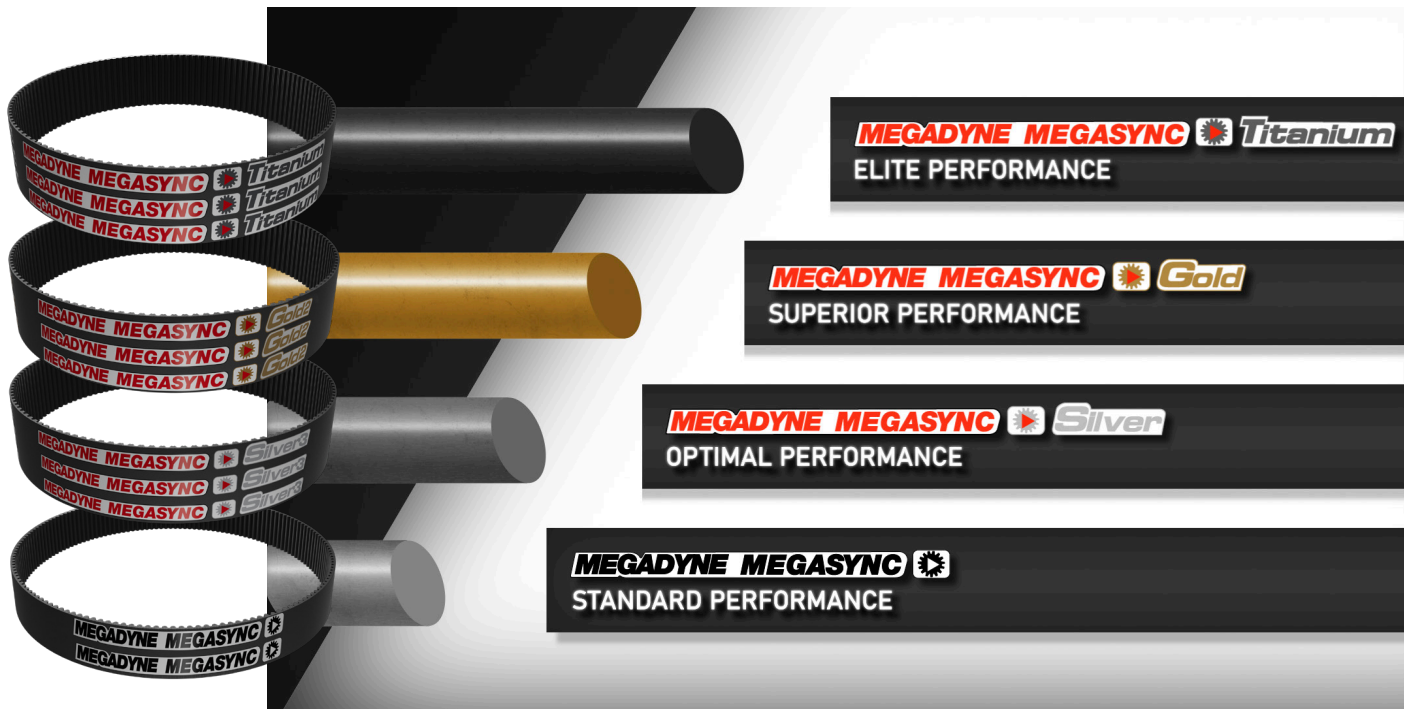


ULTRA-HIGH TORQUE

Drives pictured above are for demonstration purposes only. From left to right, MEGADYNE MEGASYNC™ RPP to Titanium conveys a reduction in total drive cost: belts, sprockets, weight and bearing hub load, plus more efficiency, lower noise and less energy consumption.

PERFORMANCE

COMPARISON INDEX



This image illustrates a power comparison of belts that are equal width. MEGASYNC™ Titanium belts are up to 6x the rated horse power capacity of standard RPP belts. The above examples are for illustrative purposes only.

RPP® is a registered trademark of the Timken S.M.O. LLC



MEGADYNE

Discover Your Local Contact

The local partner of choice
for sustainable power transmission belting solutions
around the globe.



**General Contact Information
Megadyne**

5 Dedrick Place
West Caldwell, NJ 07006
United States

megadynegroup.com
megadynegroup.com/usa/contact-us



Scan the QR code to
find your local contact.

